

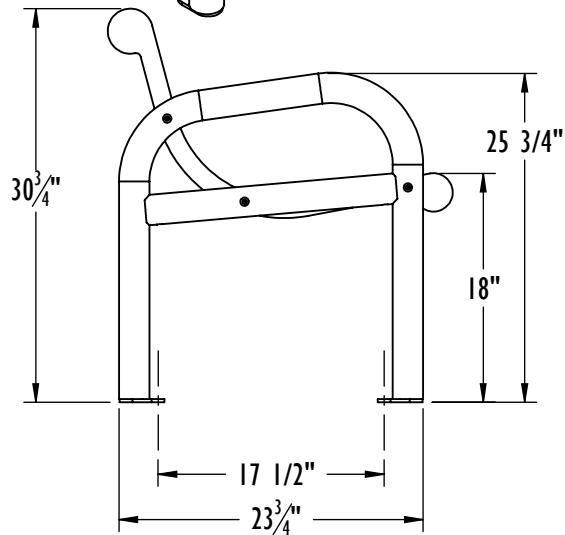
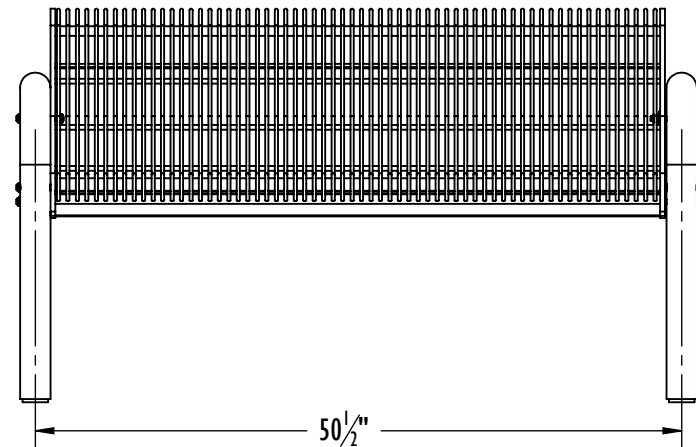
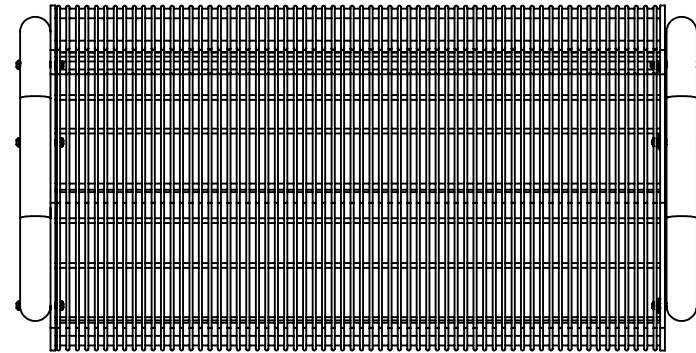
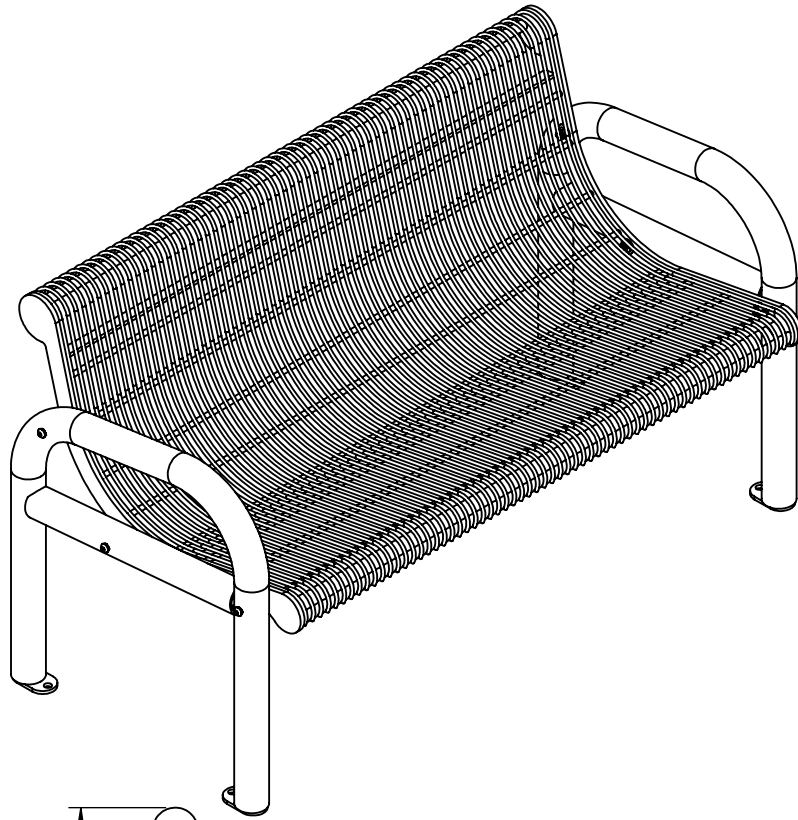
**Specification for Premier Welded Rod Grand Contour Bench
All Mount and Lengths.**


Seats is made of .192 welded rod supported by:

- * Side frame of 1/4" HR plate
- * Width frame of 1/4" HR Steel

Stands are made of round pipe 2.375"O.D.

All above are plastisol coated with UN and fungus resistant oven cured plastisol to a thickness of 1/8".
All hardware is .304 Stainless Steel.



		Kay Park Rec	
DESC. 48" CURVED BENCH SEAT W/ VINYL PLASTIC & COATED LEGS			
MODEL NUMBER.		CRB48VP	WT. 120 lbs
DRAWN BY PAK	DATE 2/18/2013	Sheet 1 of 2	SCALE NONE

CONFIDENTIAL DRAWING AND INFORMATION IS NOT TO BE COPIED OR DISCLOSED TO OTHERS WITHOUT THE CONSENT OF KAY PARK. SPECIFICATIONS ARE SUBJECT TO CHANGE WITHOUT NOTICE.

Path to Part or Assy - CRB48VP

S:\CADDRWGS\Solidworks\Benches\CRB\

Configuration - Spec