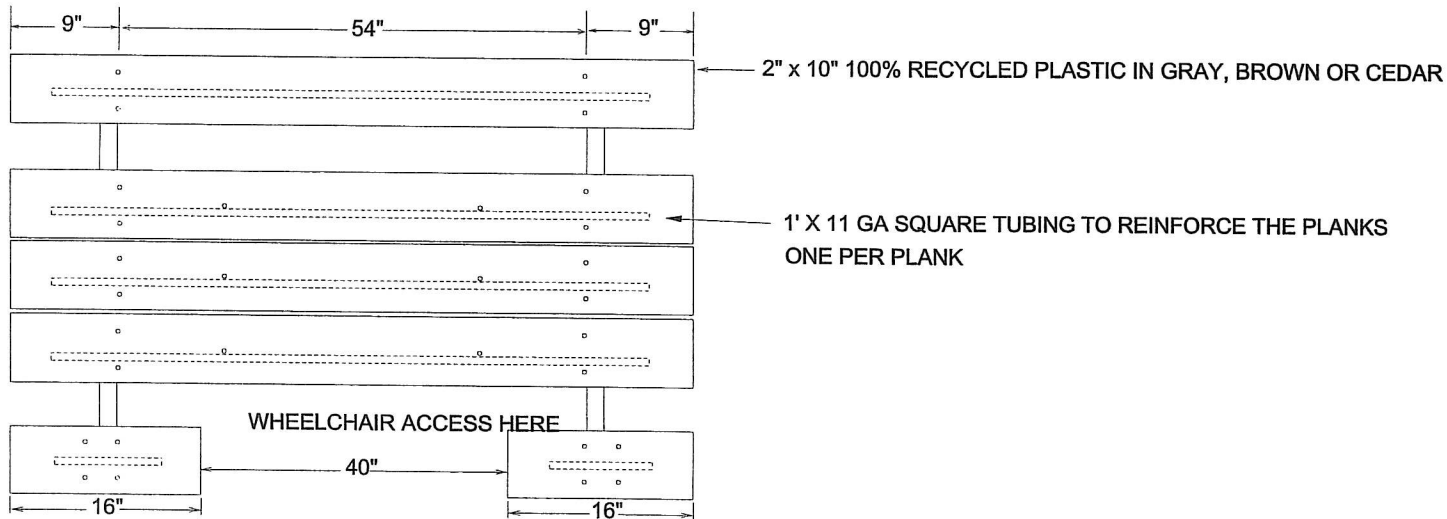


2 3/8" O.D. SCH.40 PIPE
HOT DIP GALVANIZED AFTER FABRICATION



FILE No. 6J2GRRP-SWC

KAY PARK			
MODEL	6J2GRRP-SWC	WT.	315 lbs.
DRAWN BY	CKB	DATE	1/30/05
		SCALE	NONE